



*Power Nozzle  
Owner's Manual*

# TABLE OF CONTENTS

Message from Rexair.....	1
Important Safety Instructions.....	2
Assembly.....	4
Electrified Hose.....	5
Operation and Care.....	6
To Reset Circuit Breaker.....	6
Service Information.....	6
Replacing A Worn Belt.....	7
Operations Checklist.....	8

**The Power Nozzle is to be used with the Rainbow Model E-2.**

Visit Rexair's Web Site at: <http://www.RainbowSystem.com>

### Consumer Care Number

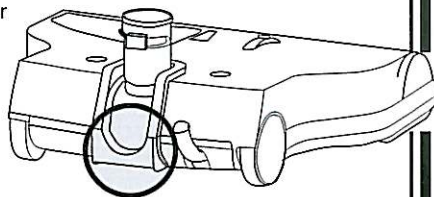
As part of Rexair's Consumer Care program, all new **Rainbow** Power Nozzles receive a Consumer Care Serial Number after passing Quality Control testing at the factory. This serial number assists in providing:

1. Ownership identification for you;
2. Warranty identification for your Distributor;
3. Assurance of having cleared quality control;
4. Assurance of new "factory fresh" condition.

For your protection, check to see that the serial number is on the **Rainbow** Power Nozzle at the location shown on the accompanying diagram. No new **Rainbow** Power Nozzle should be sold without this number. If the number is missing, Rexair makes no claims as to the origin, age, or condition of the unit. If you cannot find a serial number on your **Rainbow** Power Nozzle, please call our customer service department at (248) 643-7222, fax to (248) 643-7676, or write Rexair, Inc. 3221 W. Big Beaver Road, Suite 200, Troy, Michigan 48084 U.S.A.

For your protection, record the serial number in the space provided below. Save this information for future reference.

Serial No. \_\_\_\_\_



The configuration of the **Rainbow**® Cleaning System and the words **Rainbow**®, **RainbowMate**® and **Rexair**® are registered trademarks of Rexair, Inc., Troy, Michigan U.S.A.



### Rexair, Inc.

REXAIR, INC. sells the **Rainbow** Cleaner only to independent Authorized Distributors who are experienced in direct in-the-home selling. Since Rexair does not market its product through national advertising, awareness of the product is created by the individual efforts of thousands of direct selling "dealers," who, by means of in-home demonstrations, create interest in the **Rainbow** Cleaner in their local communities. The independent Authorized Distributors with whom those dealers are affiliated assume the responsibility for the legitimate distribution and service of the **Rainbow** Cleaner directly through their own dealers, or indirectly through independent subdistributors and their dealers.

Rexair provides to its Authorized Distributors, and only to them, a written four-year warranty on the Power Nozzle. This warranty does not cover normal wear-and-tear arising from usage of the Power Nozzle. Even though Rexair, as the manufacturer, does not deal directly with the consumer nor provide the consumer with a written warranty, the law imposes certain responsibilities on all manufacturers who make consumer products. The products must not be defective and must be generally fit for their intended uses. These implied warranties of merchantability and fitness are honored by Rexair. Further, Rexair requires each Authorized Distributor to pass through to the consumer, by way of the Authorized Distributor's own written warranty, the benefit of Rexair's warranty to such Distributor.

Rexair further requires that each Authorized Distributor make prompt and workmanlike service available through its own service outlets or through responsible independent service outlets in those communities in which it sells Rexair products through its independent subdistributors and dealers.

Do not lose the name and address of the dealer or distributor from whom you bought the **Rainbow** Cleaner. Contact him or her for advice on caring for your **Rainbow**, warranty coverage, service, and the nearest service outlet.

Rexair is highly selective regarding those it appoints as its direct customers, the Authorized Distributors. However, Rexair has no agreement or legal relationship with the independent resellers who acquire products directly or indirectly from an Authorized Distributor, and can only attempt to correct any customer complaints about such resellers by acting through the responsible Authorized Distributor. Rexair's announced policy is to hold each Authorized Distributor responsible for remedying the results of any statement or action by any of the independent resellers that may result in a complaint from any member of the buying public.

Should you have any problem or have any question regarding the above, you should first contact the distributor or dealer from whom you purchased your **Rainbow**. If you have any problem locating that person, contact Rexair's Customer Service Department at the address listed below, being sure that you include your **Rainbow's** Serial Number. They will immediately send you the name, address and phone number of the responsible Authorized Distributor for your area. If you feel that you are not receiving proper assistance from the Authorized Distributor, please contact us immediately. All of our Authorized Distributors know of their obligations.

For any additional information or assistance write to:

Rexair, Inc., 3221 W. Big Beaver Road, Suite 200, Troy, Michigan 48084 U.S.A. (248) 643-7222 or fax to (248) 643-7676. You can visit Rexair's Web Site at:

<http://www.RainbowSystem.com>

### Your Authorized Rainbow Distributor

(PLEASE PRINT)

Name: \_\_\_\_\_

Address: \_\_\_\_\_

Phone: \_\_\_\_\_

Dealer Signature: \_\_\_\_\_

# ASSEMBLY

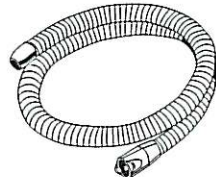
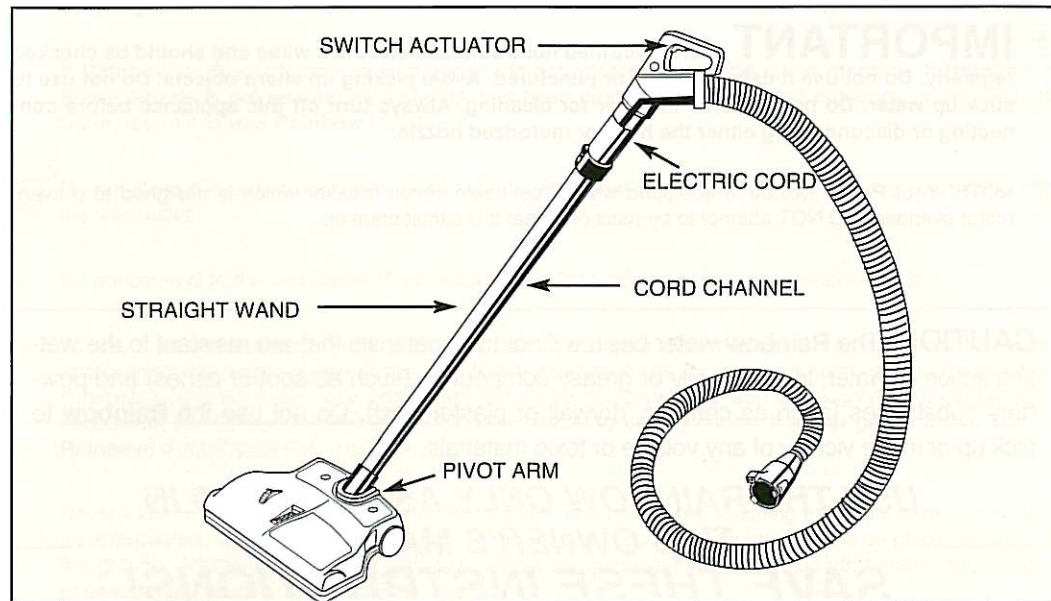
## TO ASSEMBLE THE POWER NOZZLE

1. Push straight wand into pivot arm of the motorized powerhead unit.
2. Insert the electric cord into the long cord channel guide on straight wand by pressing the cord into channel guide with thumb.
3. Leave a bit of slack in the lower cord at the base of the straight wand (and pivot arm) to enable the handle to be raised and lowered.

### SERVICING

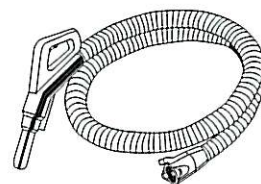
**SERVICING OF DOUBLE-INSULATED APPLIANCE** - In a double-insulated appliance, two systems of insulation are provided instead of grounding. No grounding means is provided on a double-insulated appliance, nor should a means for grounding be added to the appliance. Servicing a double-insulated appliance requires extreme care and knowledge of the system and should be done only by qualified Rainbow service personnel. Replacement parts for a double-insulated appliance must be identical to the parts they replace. A double-insulated appliance is marked with the words "DOUBLE-INSULATION" or "DOUBLE-INSULATED". The Symbol (square within a square) may also be marked on the appliance.

Any servicing other than cleaning should be performed by an authorized Rainbow service representative.



The e-SERIES™ Hose

- Use for wet & dry pick-up.
- Supplied with the Rainbow.



The R-8077 Electrified Hose

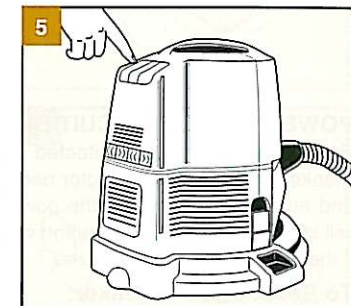
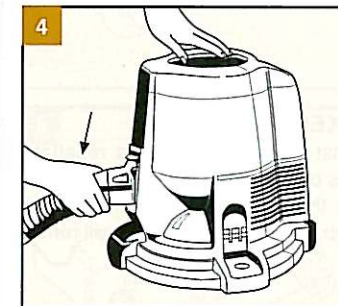
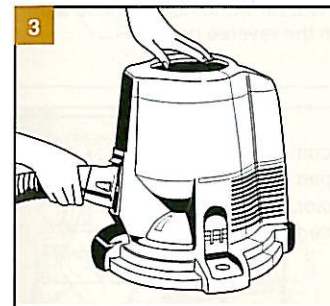
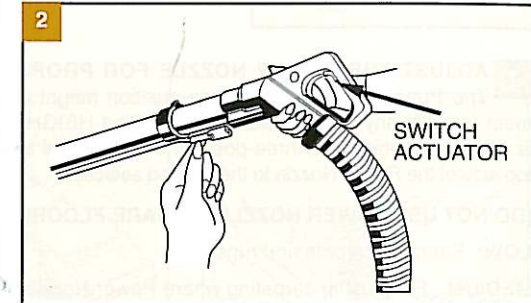
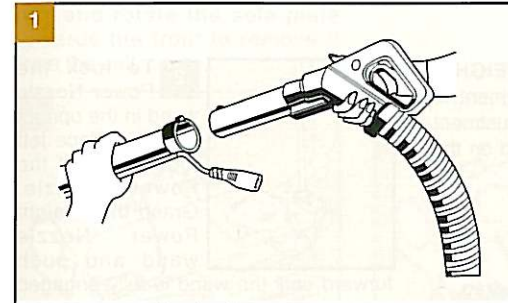
- Use **ONLY** for dry pick-up. To avoid risk of electrical shock, **NEVER** use to pick up water or any other fluids.
- Supplied with the Power Nozzle. For use with Power Nozzle and RainbowMate.



# ELECTRIFIED HOSE

**1 CONNECTING POWER NOZZLE WAND AND ELECTRIFIED HOSE HANDLE:** Insert the short metal wand of the Rainbow handle on the electrified hose into the long metal wand of the Power Nozzle. Align the button lock on the short wand with the guide on the Power Nozzle wand. Slide the button into the guide to engage the lock. When button lock engages, connection is secure.

**2 MAKING THE ELECTRICAL CONNECTION:** Holding hose firmly (do not grip Rainbow handle switch actuator), plug the Power Nozzle electric cord into the receptacle on the underside of the Rainbow handle.



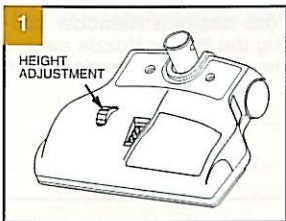
**3 CONNECTING ELECTRIFIED HOSE TO POWER UNIT:** Attach the electrified hose to the front of the power unit at the air inlet opening. Insert the coupling end into the air inlet opening, open the receptacle door by lifting up with the top of the hose coupling, and press the coupling into the machine until both latches have snapped into place. This will complete the electrical connection to the machine.

**4 ENERGIZING THE POWER NOZZLE:** With the electrical connections made, the power unit master switch will energize both the power unit and the Power Nozzle. However, the power unit will not activate the power nozzle brush roll. The switch actuator in the Rainbow handle must be actuated to operate the Power Nozzle. To remove the electrified hose from the power unit, squeeze coupling side latches and pull hose from intake opening.

**5** After the electrical connections are made, the ON/OFF switch on the Rainbow power unit will operate both the Cleaner and the motorized Power Nozzle. The switch in the electrified hose handle will operate the Power Nozzle only. To remove the electrified hose from the lower unit, squeeze coupling side latches and pull hose from intake opening.

**WARNING:** To avoid risk of electrical shock, **NEVER** use the electrified hose (supplied with the Power Nozzle) to pick up water or any other fluids. Use **ONLY** the e-SERIES™ Hose, supplied with the Rainbow, for wet pick-up operations. Refer to illustrations on page 4.

# OPERATION AND CARE



## OPERATING THE POWER NOZZLE:

Hold the Power Nozzle. Squeeze the switch actuator (see page 4) and slowly guide the Power Nozzle back and forth in smooth and easy strokes. Let the Power Nozzle and the Rainbow Cleaner do the work.

## 1 ADJUST THE POWER NOZZLE FOR PROPER HEIGHT:

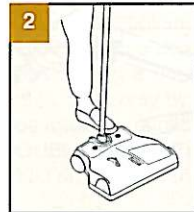
The Power Nozzle has a three-position height adjustment to meet virtually any carpet cleaning need. The HEIGHT adjustment is made by turning the three-position thumb wheel located on the top side of the Power Nozzle to the desired selection.

**(DO NOT USE POWER NOZZLE ON BARE FLOORS.)**

**LOW:** For most carpets and rugs.

**MEDIUM:** For plusher carpeting where Power Nozzle may drag.

**HIGH:** For very deep pile carpeting and special applications.



**2** To lock the Power Nozzle wand in the upright position, place left foot on top of the Power Nozzle. Grasp the straight Power Nozzle wand and push

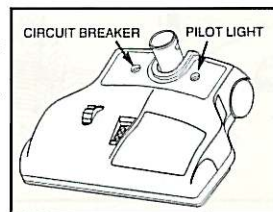
forward until the wand is fully engaged in the locking tabs. To disengage the Power Nozzle wand, follow these same steps in the reverse order.

## POWER NOZZLE CIRCUIT BREAKER:

Each Power Nozzle is protected against motor burnout by a resettable circuit breaker. In the event the motor becomes overloaded, the circuit breaker will open and automatically shut off the power to the motor. When this occurs, the motor will stop running, the reset button will pop up, and the pilot light will remain lighted if the handle switch is squeezed.

### To Reset Circuit Breaker:

1. Disconnect unit from the electrical supply.
2. Remove any object that may have stalled the brush roll.
3. Rotate the brush roll by hand to make sure it is not frozen in position.
4. Push reset button downward until it snaps into its original position.
5. Reconnect the Power Nozzle to the electrical supply of the Rainbow Cleaner.



NOTE: Be sure to read Note 2 in the Important Safety Instructions.

## SERVICE INFORMATION: PLEASE READ VERY CAREFULLY

The performance of your new cleaner greatly depends upon home maintenance. The instructions given in this booklet will guide you in performing simple home maintenance. To obtain the most satisfying years of service, read through these instructions and keep them handy for future reference.

- Never pick up hard or sharp objects with the **Rainbow**. Items such as pins, hairpins, tacks, crayons, and pencil stubs may damage the brush roll or break a belt.
- DO NOT OIL MOTOR. The motor is permanently lubricated and sealed.
- Use Power Nozzle on carpeting and/or large floor rugs only.
- DO NOT USE ON BARE OR HARDWOOD FLOORS.
- Use on dry surfaces only. Do not use outdoors or on wet surfaces.

IMPORTANT: FOR COMPLETE OPERATING INSTRUCTIONS OF THE RAINBOW CLEANER, REFER TO RAINBOW OWNER'S MANUAL.

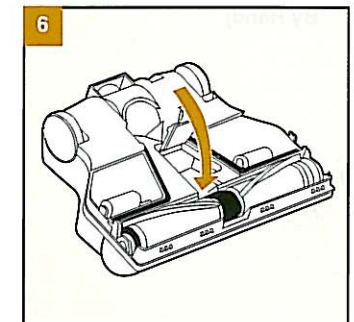
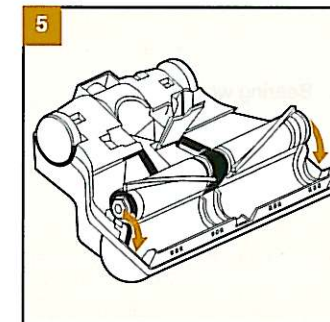
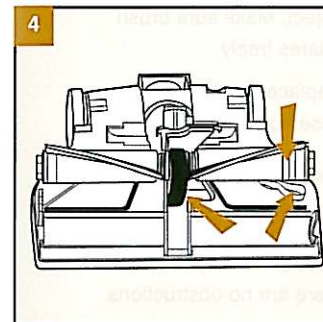
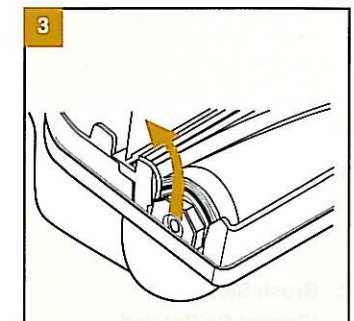
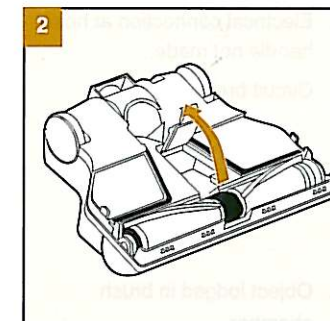
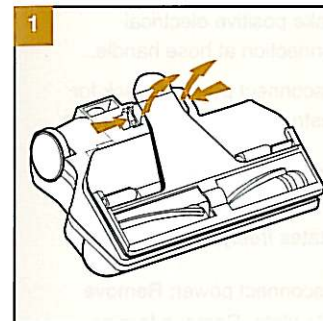
# REPLACING A WORN BELT



**1** NOTE: Always disconnect unit from electrical supply when servicing. Turn the Power Nozzle upside down. Using thumb and index finger, depress the two snap latches holding the front sole plate in place. While depressing the two snap latches, lift and rotate the sole plate towards the front to remove it from the unit.

**2** Insert finger under belt cover near the brush roll. Lift the belt cover to unlatch it and rotate it back towards the wand.

**3** To remove the brush roll, grasp the outermost ends of the brush roll and lift the brush roll out of the pockets in the nozzle housing. Remove the worn or broken belt from the brush roll or the motor shaft.

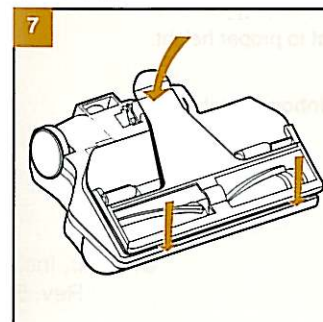


**4** Loop the new belt around the pulley in the center of the brush roll. Position the brush roll over the unit so that indicator groove is nearest the spare belt pocket and the belt is hanging from the brush roll near the motor shaft. Position the belt around the motor shaft.

**5** With the belt looped around the motor shaft and pulley in the center of the brush roll, position the ends of the brush roll on the rails located at the outboard edges of the Power Nozzle. Using both hands, slide the brush roll on the rails towards the front of the unit until the ends of the brush roll are fully seated into their pockets. Spin the brush roll by hand until the belt tracks in the center of the pulley on the brush roll.

**6** Rotate the belt cover towards the front of the unit and push down to snap it into place.

NOTE: Contact your local **Rainbow** distributor for a new Power Nozzle Belt. Store the new belt in the spare belt pocket under the sole plate.



**7** Position the sole plate over the unit. Depress the front edge of the sole plate into the unit so that latch hooks are fully engaged. Depress the rear of the sole plate to engage the two snap latches.

# OPERATIONS CHECKLIST

This **Rainbow** appliance was thoroughly tested and inspected at the factory. If a minor problem develops, the following trouble-shooting procedures may help identify and correct the problem with a minimum inconvenience.

PROBLEM	POSSIBLE CAUSE	POSSIBLE SOLUTION
<b>A. Motor Not Running</b>	1. Handle Switch not activated.	1. Must squeeze actuator in electrified hose handle.
	2. Electrical connection at hose coupling not made.	2. Make positive electrical connection at coupling.
	3. Electrical connection at hose handle not made.	3. Make positive electrical connection at hose handle.
	4. Circuit breaker tripped.	4. Disconnect power; Check for obstruction; Push reset button.
<b>B. Motor Running But Brush Not Revolving</b>	1. Broken belt.	1. Disconnect power; Remove sole plate; Make sure brush rotates freely; Replace belt.
<b>C. Brush Stopped (Cannot Be Rotated By Hand)</b>	1. Object lodged in brush chamber.	1. Disconnect power; Remove sole plate; Remove foreign object; Make sure brush rotates freely.
	2. Bearing worn out.	2. Replace brush and bearing assembly by Distributor.
<b>D. Power Nozzle Not Picking Up Well</b>	1. Clogged air chamber.	1. Disconnect power; Remove sole plate; Clear out entire air chamber; Sight through pivot arm to make sure there are no obstructions.
	2. Clogged wands or hose.	2. Disconnect power; Remove obstruction; Connect to <b>Rainbow</b> ; Make sure air is flowing freely through hose.
	3. Bristles not in contact with carpet.	3. Make sure sole plate is completely in position before latching; Replace brush if bristles are worn too short.
	4. Height adjustment not properly set.	4. Set to proper height.

NOTE: If the above solutions do not prove successful, call your Authorized **Rainbow** Distributor.